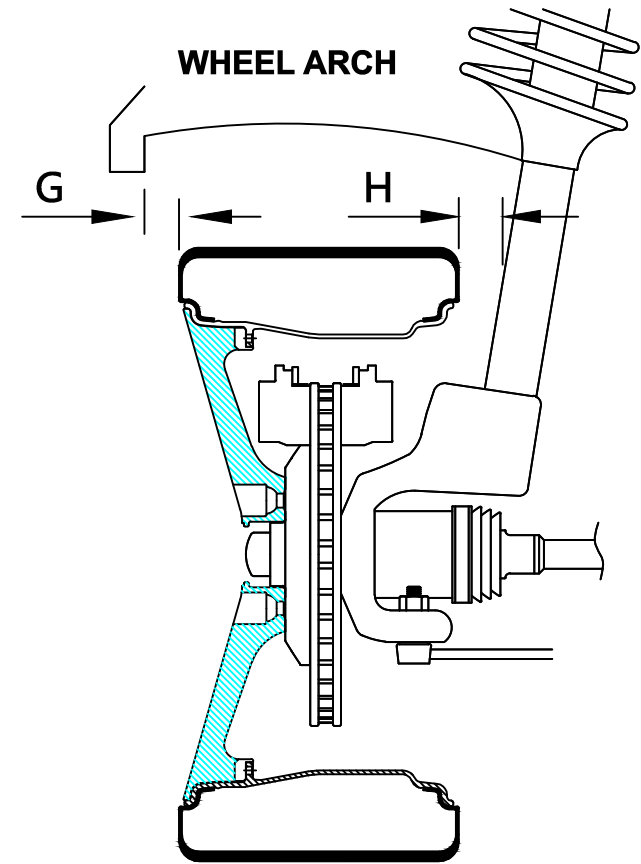
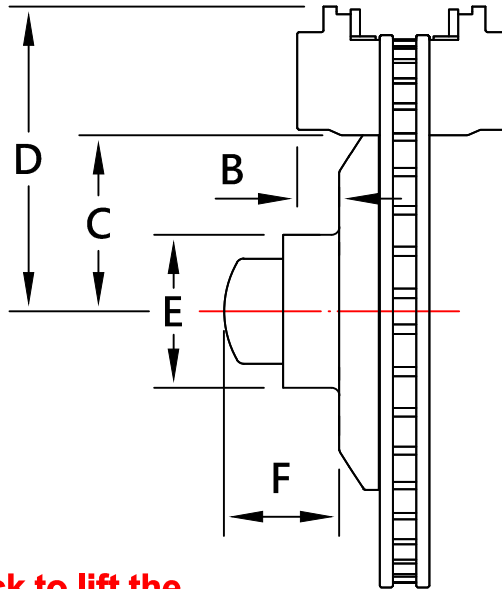
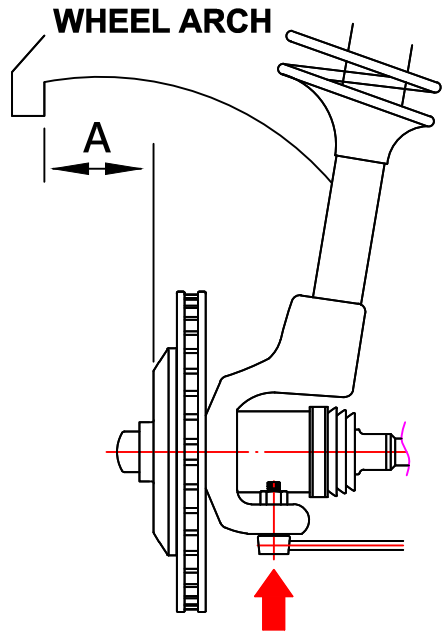


# WHEEL SPECIFICATION FORM

VEHICLE MAKE	MODEL	YEAR

## FRONT



**To measure A , it is necessary to use air jack to lift the car to original ride height**

**To measure G the car needs to be put on flat floor**

A. The distance between centre bell surface and wheel arch	mm
B. The distance between centre bell surface and caliper surface	mm
C. The distance between the axle center and caliper bottom	mm
D. The distance between the axle center and caliper top	mm
E. The distance of HUB	mm
F. The length of HUB	mm
G. The distance between original tire and wheel arch	mm
H. The distance between original tire and coilover	mm

WHEEL SIZE	Inch	J
TIRE SIZE	/	/
ET		
PCD	4 X _____	5 X _____ 6 X _____

**✘ Please fill factory spec for this table ✘**